

REV.	Description	Date
1	rated voltage, contact resistance revise	2016/4/19
2	rated current revise	2018/10/5

Specification of connector

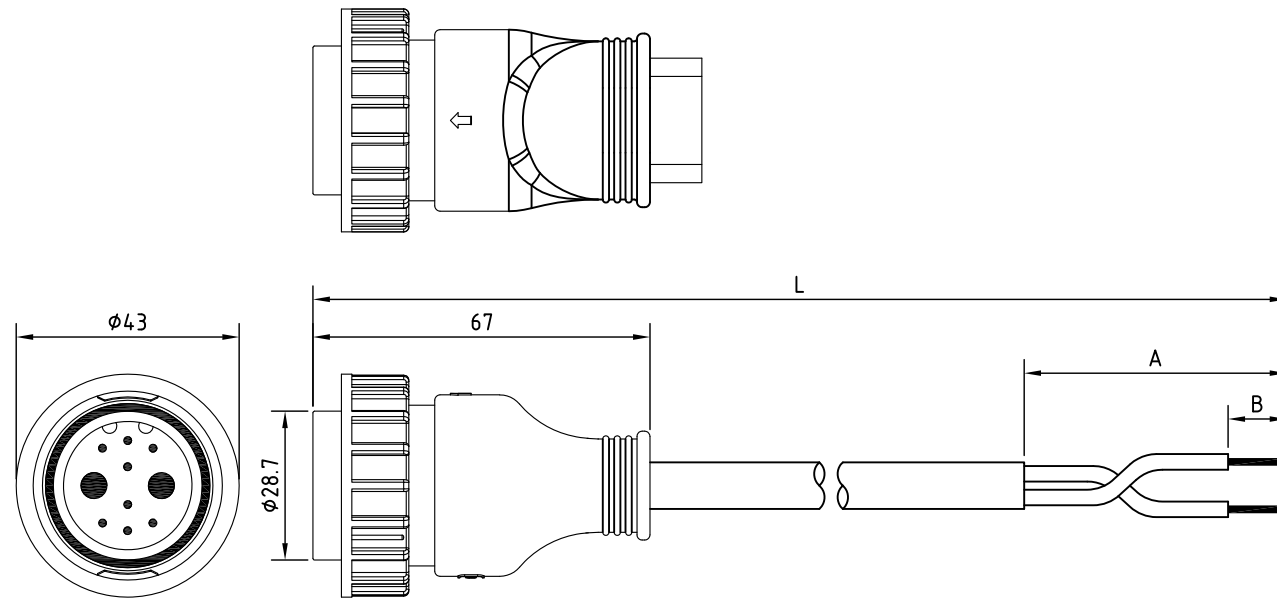
Locking system : Twist Lock
 Shell protection : IP67
 Rated voltage : 360V
 Rated current : Large pin 65A
 : Small pin 10A
 Contact resistance : Large pin <5mΩ
 : Small pin <30mΩ

Materials

Pin contact : brass
 Contact plating : gold
 Male insert : PA
 Ring nut : PA
 O-ring : rubber

Specification of cable

Material	Jacket	PVC	PUR



RoHS



Unicable Co., Ltd. 國陽電業有限公司

5F., No. 111-33, Sec. 4, San Ho Road., San Chung Dist., New Taipei City, Taiwan, R.O.C.
<http://www.unicable.com.tw> TEL:+886-2-2286-2122 FAX:+886-2-2286-1010

DATE	2018/10/5	PART NO.	UT-D283M2-3-XP
DWN	GINA	REV.	2
CHK			
UNIT	MM		

ITEM

High Power